

Piscine fuori terra ACQUAMARINA ANTRACITE 610x360x120 cm

1) TASSATIVO CONTROLLO PACKAGING

La **prima fase** consiste nel controllare che sul **BANCALE** ci siano esattamente queste **SCATOLE** riportanti questi **CODICI** nelle **QUANTITÀ** sotto elencate:

8060010	1
8060176	1
8060082	1
8060179	2
8060183	1
8060184	2
8060189	1
8060192	1
8060057	1
8060194	2
8050181	GRUPPO FILRANTE

2) CONTROLLO PEZZI

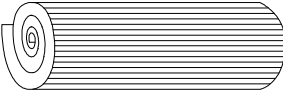

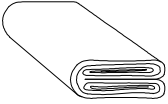

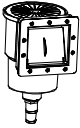

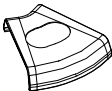













A seguire, controlla che **ogni scatola** contenga **tutti i componenti** come riportato negli elenchi qui sotto.

8060010

Kit pool wall 610 grey

Pool Wall, Hose, Skimmer,
Accessory box*2, Ground Sheet



- | | | | | | |
|----|---|--------------------------------|----|---|----------------------------|
| ① |  | pool wall (1 pcs) | ②① |  | Top metal piece (8 pcs) |
| ④ |  | Ground sheet (1 pcs) | ②② |  | Bottom metal piece (8 pcs) |
| ③ |  | Skimmer (1 pcs) | ①⑧ |  | Rail connector(32 pcs) |
| ②⑦ |  | Upper joint protector (8 pcs) | ②⑨ |  | M6 x 11 bolt (89 pcs) |
| ②② |  | Bottom joint protector (8 pcs) | ③① |  | M6 nut (56 pcs) |
| ①⑨ |  | Self Adhesive Tape (1 pcs) | ③② |  | M6 washer (73 pcs) |
| ○ |  | 4.5m Hose (2 pcs) | ③③ |  | M6 spring washer (48 pcs) |
| | | | ③④ |  | ST4.2x13 screw (40 pcs) |
| | | | ③⑤ |  | M4x10 bolt (60 pcs) |
| | | | ③⑥ |  | M8x20 bolt (40 pcs) |
| | | | ③⑦ |  | M8 nut (40 pcs) |
| | | | ○ |  | ST6.3x19 screw (8 pcs) |
| | | | ○ |  | maintenancekit (1 pcs) |

8060176

Set grey rail (24pcs)

COMPONENTS INCLUDED:

16.17



16



Rail (1375mm Length)(12 pcs)

17



Side rail A (1300mm Length)(8 pcs)

17



Side rail B (1155mm Length)(4 pcs)

8060082

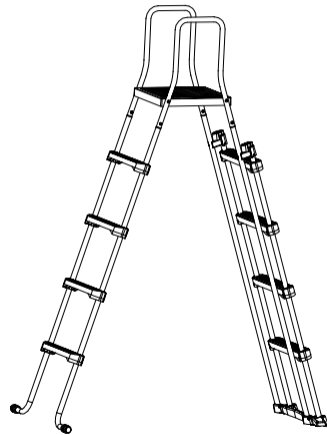
Ladder h 122, grey

COMPONENTS INCLUDED:

6



20



Ladder (122cm)(1 pcs)

8060179

Side Beam, grey

COMPONENTS INCLUDED:

8,9



9



B angled side beam (2 pcs)

8



C vertical side beam (2 pcs)

8060183

Set Horizontal Side Beam

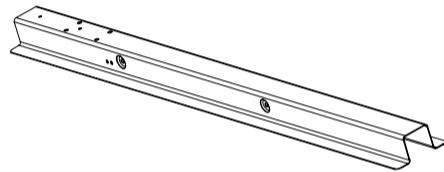
(4pcs) grey

COMPONENTS INCLUDED:

7



7



C vertical side beam (4 pcs)

8060184

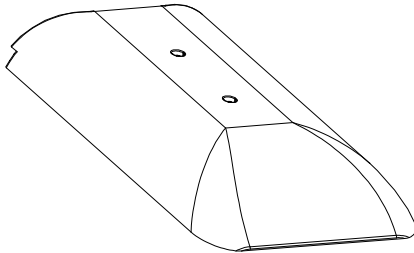
Inside bottom Protector

COMPONENTS INCLUDED:

14



14



Inside bottom protector (2 pcs)

8060189

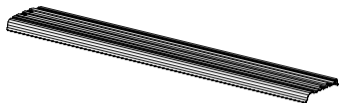
Set Platform (12pcs) grey

COMPONENTS INCLUDED:

24,25



24



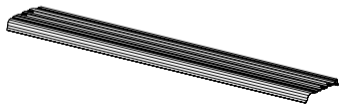
Top platform (1380mm Length)(6 pcs)

25



Side top platform A (1332mm Length)(4 pcs)

25



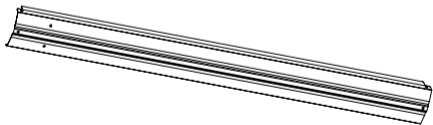
Side top platform B (1235mm Length)(2 pcs)

8060192

**Pool wall vertical
supporto, grey**



7



Pool wall vertical support (1192mm Length)(8 pcs)

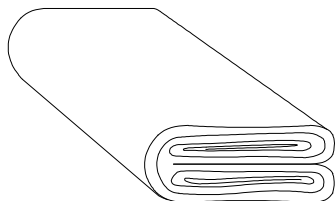
8060057

Liner Acquamarina

610, grey



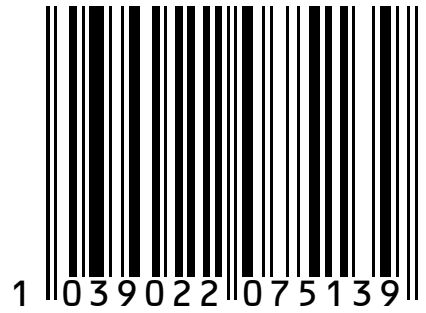
2

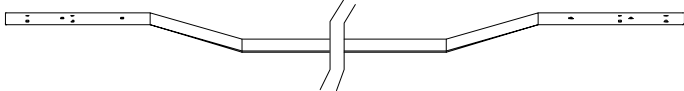
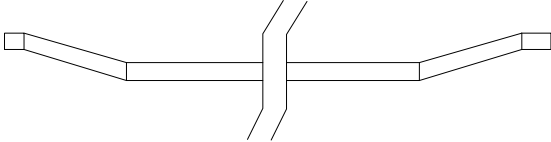
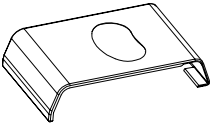
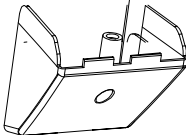
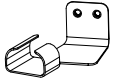
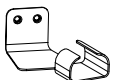
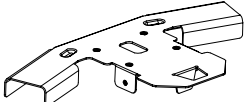


Pool liner (613612B)(1 pcs)

8060194

Steal Beam(grey)



- ⑩  Steel Belt (1 pcs)
- ⑪  Pvc Sleeve (1 pcs)
- ⑳  Side upper joint protector (2 pcs)
- ⑮  Side bottom joint protector (2 pcs)
- ⑫  Side bottom metal piece A (2 pcs)
- ⑬  Side bottom metal piece B (2 pcs)
- ㉓  Side top metal piece (2 pcs)

8050181

Gruppo di filtrazione

Il **gruppo filtro** è composto dalle seguenti parti:

1. Pompa
2. Valvola
3. Guarnizione
4. Flangia di chiusura
5. Serbatoio di filtraggio
6. Tubo con collettore
7. Filtrini parasabbia
8. Rubinetto di scarico
9. Dosatore sabbia (solo per versioni con sabbia, non necessario per Aqualoon)
10. Base di appoggio
11. Tubo flessibile

